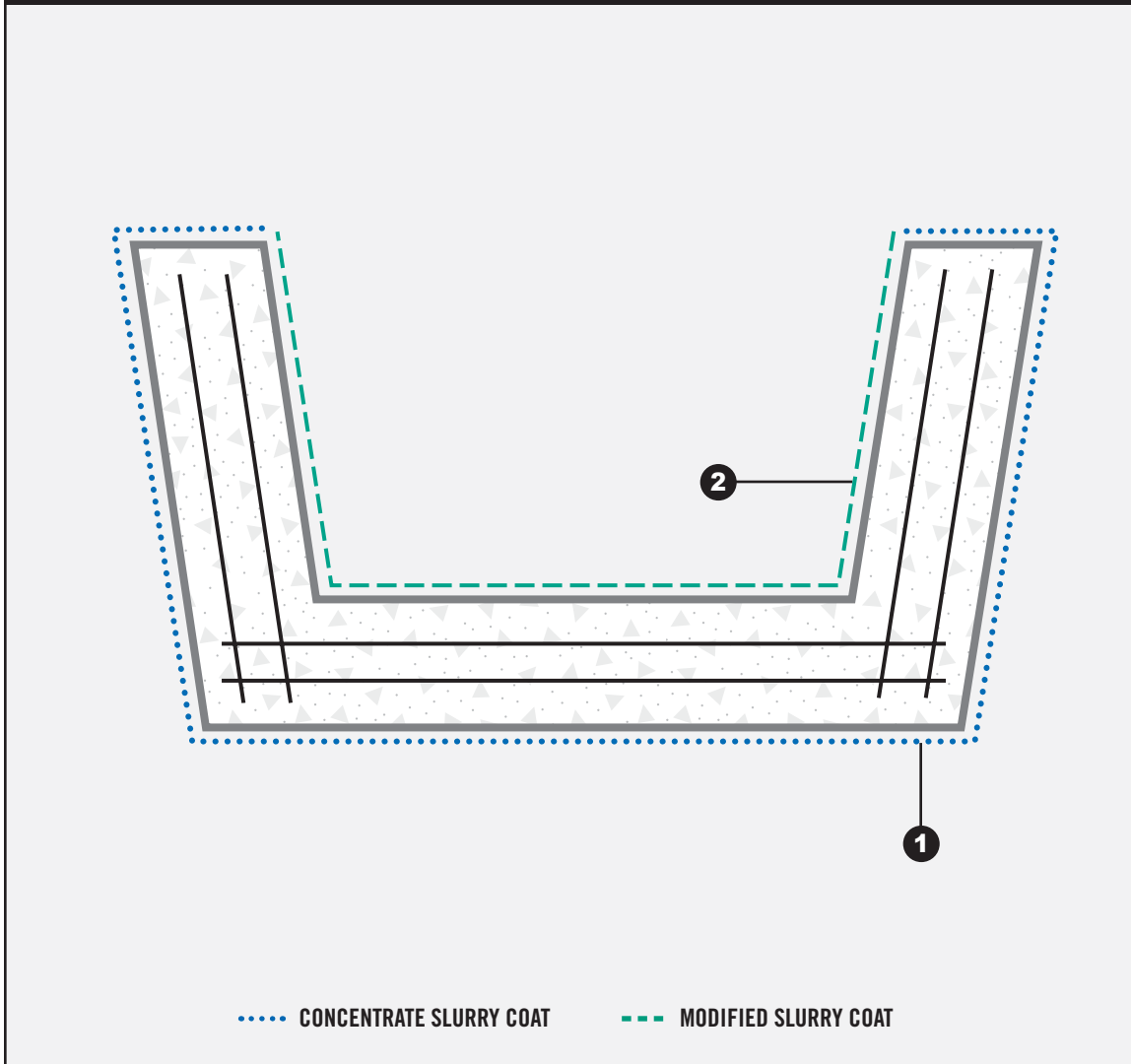


**FERRO-CEMENT BOAT / CAISSON / FLOATING DOCK**



- Step 1** Apply one slurry coat of Xypex Concentrate to hull exterior, gunwhales, and all exterior decks at the rate of 1.5 lb./sq. yd. (0.8 kg/m<sup>2</sup>).
- Step 2** Apply one coat of Xypex Modified to interior surface of hull at the rate of 1.5 lb./sq. yd. (0.8 kg/m<sup>2</sup>).

In the case of sealed, hollow-core caissons, step 2 is eliminated and the Concentrate slurry coat in step 1 should extend over entire exterior of unit.

**Note 1:** Schematic diagram shows Xypex application details only and does not depict standard requirements for waterstops or expansion joint sealants.

**Note 2:** Schematic drawing shows Xypex Coating application. Specifier may consider the alternative use of Xypex Dry Shake (DS-Series) or Xypex Additive (Admix C-Series), where applicable. Refer to Standard Specifications for more information.